

Water Specialist Cabinet

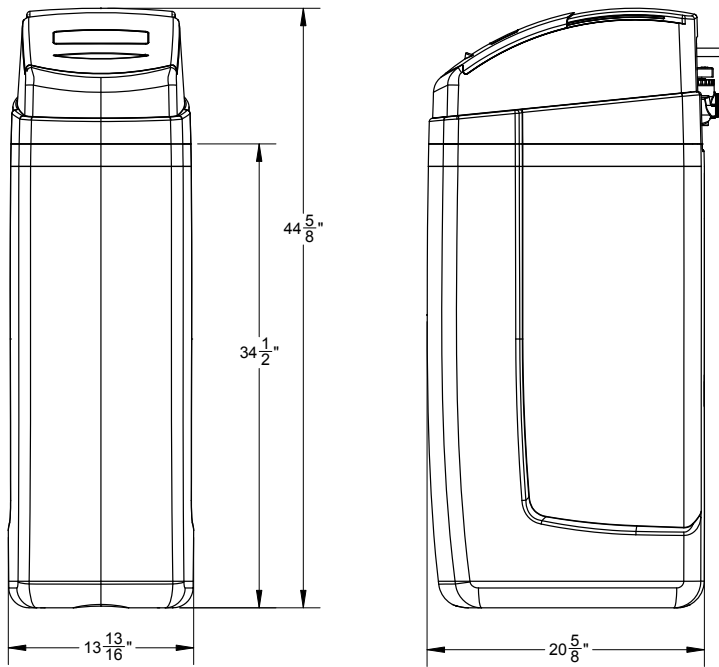
The top sliding cover opens to a large tapered chute for ease of adding salt to the system without removing the cover. This new design offers a unique flip up access window that allows you to program the valve without removing the cover.

A new brine valve/brine well system has been incorporated in the design that allows full access to the brine valve for servicing, without having to disassemble the complete system.

Available in Blue and in Grey.



Water Specialist - CWS-35 Cabinet



The Water Specialist – CWS-35 Cabinet accepts 35" tall mineral tanks up to a 12" diameter to maximize system capability.

Tank Size	Liquid Capacity		Salt Capacity	
	in.	gal.	liters	lbs.
8 x 35	28	7.5	285	129
9 x 35	27	7.0	279	126
10 x 35	25	6.5	258	117
12 x 35	20	5.3	208	94

The cabinet will be available for use with 18" and 35" tall media tanks including a 12" x 35" tank to maximize resin capacity.